
DF-78

———— CONTENTS ————

FIG. 1 EXTERIOR COVERS	2
FIG. 2 PAPER CONVEYING SECTION.....	4
FIG. 3 TRAY SECTION	6
FIG. 4 ACCESSORY	8
• INDEX.....	10

FIG. 1 JOB SEPARATOR

3B5

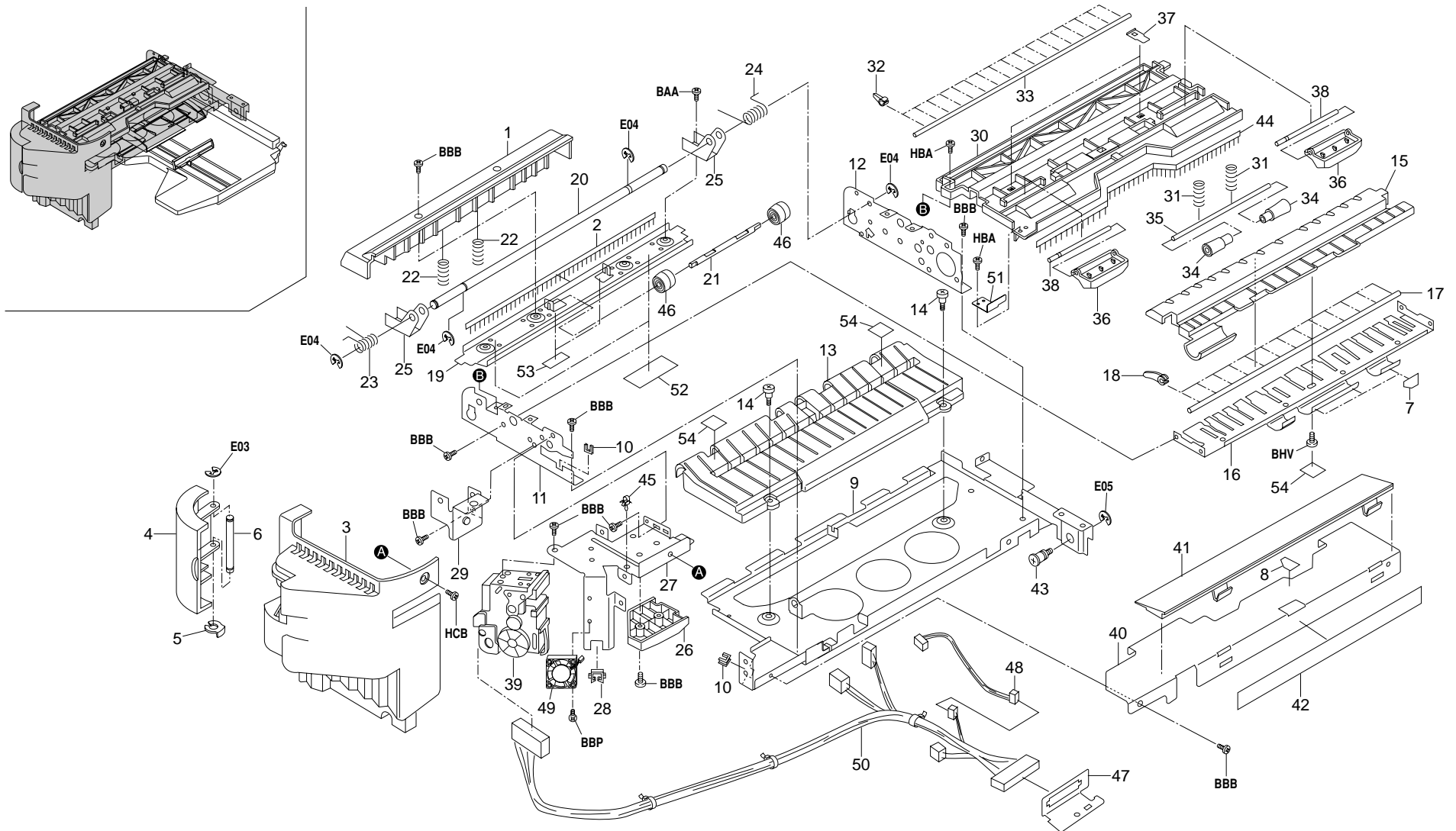


FIG. 1 JOB SEPARATOR

3B5

SP	Ref. No.	Part. No.	Description	Quantity		
				120V	230V	240V
●	1	3B504010	COVER,EJECT SMALL	1	1	1
●	2	3AL07250	REAR STATIC ELIMINATOR,PAPER FEED	1	1	1
●	3	3B504030	COVER,STAPLER LARGE	1	1	1
●	4	3B504040	COVER,STAPLER SMALL	1	1	1
●	5	65016080	STOP RING E3	1	1	1
	6	3B504070	SHAFT,STAPLER COVER	1	1	1
	7	3BN08720	LOWER FILM,ROLLER FEED SHIFT	3	3	3
	8	3BN08710	FILM,GUIDE EJECT	1	1	1
	9	3B508030	BASE	1	1	1
	10	M2104350	EDGING,EDS-0607M(KITAGAWA)	2	2	2
	11	3B508010	FRONT FRAME	1	1	1
	12	3B508020	REAR FRAME	1	1	1
	13	3B508040	LOWER GUIDE	1	1	1
	14	29820420	PIN,BEARING	2	2	2
	15	3B508060	UPPER GUIDE,MIDDLE	1	1	1
	16	3B508070	LOWER GUIDE,MIDDLE	1	1	1
	17	3BN08130	SHAFT,FEED SHIFT	1	1	1
●	18	3BN08120	CLAW,FEED SHIFT	13	13	13
	19	3B508090	GUIDE,EJECT	1	1	1
	20	3B508190	SHAFT,EJECT GUIDE	1	1	1
	21	3B508200	SHAFT,EJECT PULLEY	1	1	1
	22	3B508210	SPRING,EJECT PULLEY	2	2	2
	23	3B508220	FRONT SPRING,EJECT GUIDE	1	1	1
	24	3B508230	REAR SPRING,EJECT GUIDE	1	1	1
	25	3B508240	SUPPORT PLATE,EJECT GUIDE	2	2	2
	26	3B508100	GUIDE,STAPLER	1	1	1
	27	3B508110	MOUNT,STAPLER	1	1	1
	28	M2104200	EDGING EDS-1	1	1	1
	29	3B508120	MOUNT,POSITIONING PIN	1	1	1
	30	3B508050	UPPER GUIDE	1	1	1
	31	3B508440	SPRING,FEED SHIFT PULLEY	2	2	2
●	32	3B508260	CLAW,FEED SHIFT SMALL	17	17	17
	33	3B508270	SHAFT,FEED SHIFT CLAW SMALL	1	1	1
●	34	3BN08100	PULLEY,BRANCH	2	2	2
	35	3BN08440	SHAFT,FEED SHIFT PULLEY	1	1	1
	36	3BN08460	GUIDE,PAPER HOLDER	2	2	2
	37	3B508470	STOPPER,PAPER HOLDER	2	2	2
	38	3BN08480	SHAFT,GUIDE EJECT	2	2	2
●	39	3AW27010	STAPLER	1	1	1
	40	3B508080	GUIDE,MIDDLE TRAY	1	1	1

SP	Ref. No.	Part. No.	Description	Quantity		
				120V	230V	240V
	41	3B508380	GUIDE,GUIDE MIDDLE TRAY	1	1	1
●	42	3B508390	SEAL,GUIDE MIDDLE TRAY	1	1	1
	43	3B508370	PIN,MACHINE RETAINING(M4)	1	1	1
●	44	75416230	STATIC ELIMINATOR SORT BIN	1	1	1
	45	M2107120	BINDING BAND SG-130	1	1	1
●	46	63210170	PULLEY,LOOP FEED	2	2	2
	47	3B502040	MOUNT,CONNECTOR	1	1	1
	48	3B527030	JUNCTION WIRING,CONVEYING SENSOR	1	1	1
	49	3AZ21810	FAN,FEED SHIFT	1	1	1
	50	3B527020	WIRE,CONVEYING UNIT	1	1	1
	51	3B508460	GROUND PLATE,STATIC ELIMINATOR	1	1	1
	52	3B508500	FILM,EJECT GUIDE	2	2	2
	53	3B508490	FILM,EJECT PULLEY	2	2	2
	54	3B508510	FILM,GUIDE MIDDLE	3	3	3

- Parts with "●" are component parts or sub-assemblies of the assembly appearing immediately above them.
- Parts with "●" indicates the Service parts.

FIG. 2 PAPER CONVEYING SECTION

3B5

SP	Ref. No.	Part. No.	Description	Quantity		
				120V	230V	240V
●	1	M2105740	MINIATURE CLAMP,UAMS-05S-2	3	3	3
●	2	3A601010	RELEASE SWITCH ASS'Y	1	1	1
●	3	29822140	BUSHING,DRUM SHAFT	2	2	2
●	4	34806150	STOPPER 5	10	10	10
●	5	3BN08520	SHAFT,STOPPER	1	1	1
●	6	3BN08620	GEAR 26,STOPPER	1	1	1
●	7	63213330	BUSHING,EJECT ORIGINAL HOLDER	2	2	2
●	8	65016080	STOP RING E3	3	3	3
●	9	3BN08530	GEAR,STOPPER	1	1	1
●	10	3BN08550	SHAFT,ROLLER PRESSURE	1	1	1
●	11	3BN08560	LIFT PLATE,ROLLER PRESSURE	1	1	1
●	12	3BN08570	ROLLER,PRESSURE	1	1	1
●	13	3B508520	SPRING,STOPPER	1	1	1
●	14	3BN08650	SPRING,PRESSURE ROLLER	1	1	1
●	15	3BN08671	INNER BUSHING,PRESSURE ROLLER	1	1	1
●	16	3BN08680	FRONT HOLDER,PRESSURE ROLLER	1	1	1
●	17	3BN08690	REAR HOLDER,PRESSURE ROLLER	1	1	1
●	18	34806140	STOPPER 4	1	1	1
●	19	78022060	GEAR 32	1	1	1
●	20	3BN08541	LEVER,PRESSURE	1	1	1
●	21	3B508180	ROLLER,EJECT	1	1	1
●	22	73210450	BUSH, 6	2	2	2
●	23	75706040	STOPRING PAPER FEED PULLEY	1	1	1
●	24	67322230	BUSHING 8	2	2	2
●	25	72622050	GEAR 25,FEED LOOP	1	1	1
●	26	45728116	GEAR 28,JOINT	1	1	1
●	27	3B508340	MOUNT,CONVEYING SW	1	1	1
●	28	3B508350	ACTUATOR,CONVEYING SW	1	1	1
●	29	2A116190	GEAR,TRANSFER	1	1	1
●	30	35327400	SWITCH,FEED	1	1	1
●	31	3B508420	MOUNT,WIRE	1	1	1
●	32	3B508360	SPRING,CONVEYING SW	1	1	1
●	33	3BN08090	ROLLER,FEED SHIFT	1	1	1
●	34	72622060	GEAR,CENTRAL LEAD ROLLER	1	1	1
●	35	3BN08200	GEAR 21,FEED SHIFT	1	1	1
●	36	3B508320	MOUNT,SOLENOID	1	1	1
●	37	3B508330	LEVER,CLUTCH	1	1	1
●	38	48528800	SPRING,PF CRUTCH	1	1	1
●	39	2BJ02120	HOLDER,FULCRUM	1	1	1
●	40	3BN08580	CAM,CLUTCH	2	2	2

SP	Ref. No.	Part. No.	Description	Quantity		
				120V	230V	240V
●	41	3BN08590	SHAFT,CLUTCH	1	1	1
●	42	3BN08660	COLLAR,STOPPER CLUTCH	1	1	1
●	43	62227070	SOLENOID B,FEED SHIFT	1	1	1
●	44	66006630	GEAR,BYPASS LIFT CLUTCH	1	1	1
●	45	73208180	BOSS,REGISTRATION CL	1	1	1
●	46	73226040	SPRING,REVERSE SOLENOID	1	1	1
●	47	76202270	LEFT BUSHING FULCRUM SHAFT	2	2	2
●	48	M2107120	BINDING BAND SG-130	2	2	2
●	49	3B508430	ROLLER SUS,DECURLER	1	1	1
●	50	3B508410	MOUNT,DECURLER	2	2	2
●	51	68822330	BEARING,DRIVE	4	4	4
●	52	3B508130	UPPER ROLLER,DECURLER	1	1	1
●	53	34922220	GEAR 18,RETARD	1	1	1
●	54	36722860	GEAR 18	1	1	1
●	55	3B508280	GEAR Z31/Z20	1	1	1
●	56	3B508290	MOUNT,MOTOR	1	1	1
●	57	3B508300	LEVER,ADMISSION SHIFT	1	1	1
●	58	75915120	GEAR 16,SUB DEV.UNIT	1	1	1
●	59	3A821130	SPRING,FEED SHIFT LEVER	1	1	1
●	60	3BN27011	MOTOR,FEED SHIFT	1	1	1
●	61	3BN27050	SOLENOID,FEED SHIFT	1	1	1
●	62	68814190	PIN,SUPPLY IDLE	1	1	1
●	63	3B508310	REAR REINFORCEMENT,FRAME	1	1	1
●	64	3B508400	RETAINER,ADMISSION SHIFT LEVER	1	1	1
●	65	73918080	PIN,CLEANING BLADE	1	1	1
●	66	3B508450	SPACER,DECURLER	2	2	2

- Parts with "●" are component parts or sub-assemblies of the assembly appearing immediately above them.
- Parts with "●" indicates the Service parts.

FIG. 3 TRAY SECTION

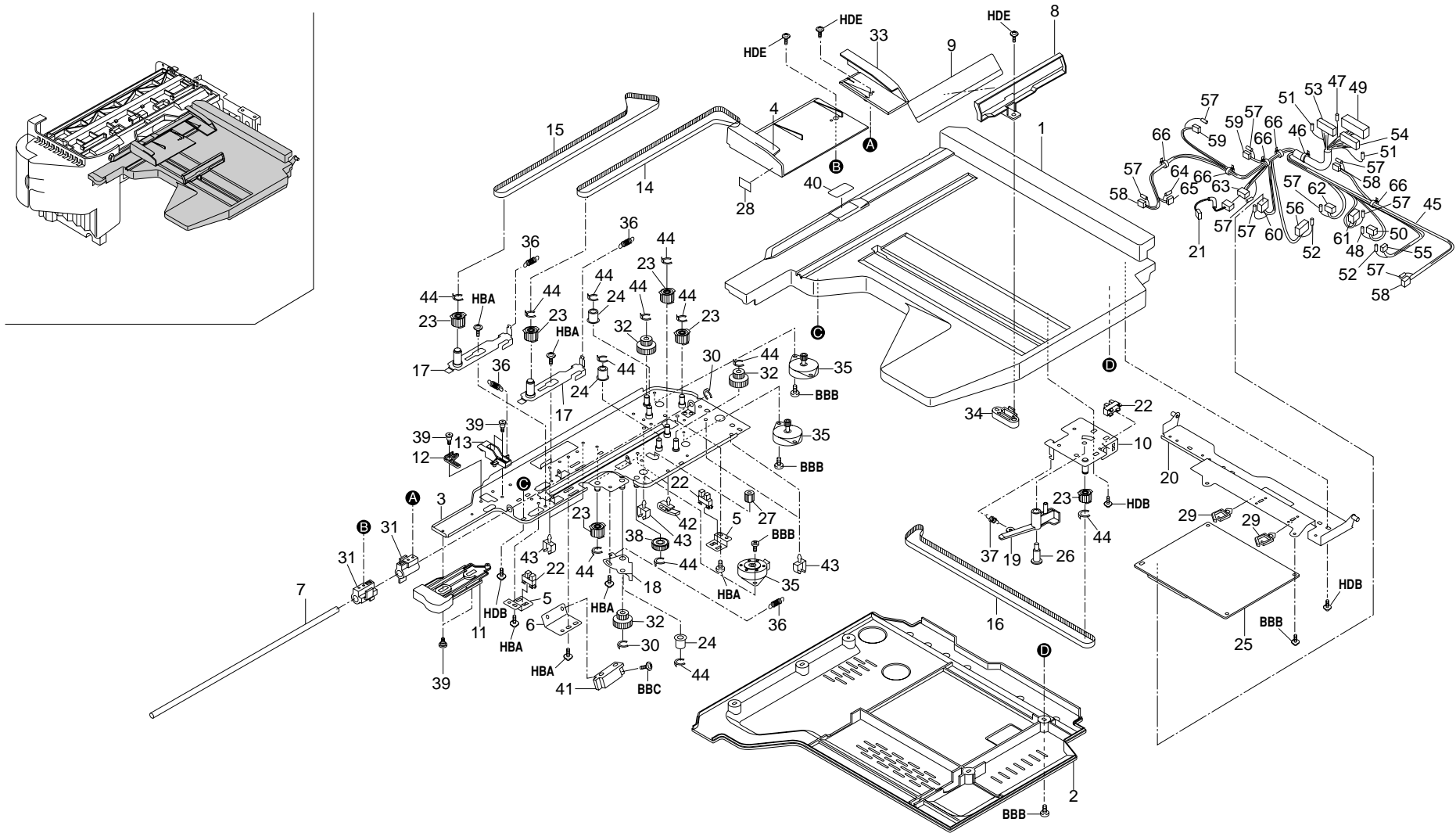


FIG. 3 TRAY SECTION

3B5

SP	Ref. No.	Part. No.	Description	Quantity		
				120V	230V	240V
●	1	3B507010	TRAY,MIDDLE	1	1	1
●	2	3B507020	COVER,MIDDLE TRAY	1	1	1
	3	3B507030	MOUNT,DRIVE	1	1	1
	4	3B507040	FRONT CURSOR,SIDE REGISTRATION	1	1	1
	5	3B507050	MOUNT,SIDE REGISTRATION DETECTION	2	2	2
	6	3B507060	MOUNT,PAPER DETECTION	1	1	1
	7	3B507070	SHAFT,SLIDER	1	1	1
	8	3B507080	CURSOR,LEADING REGISTRATION	1	1	1
●	9	3B507090	FILM,LEADING REGISTRATION	1	1	1
	10	3B507100	MOUNT,LEADING REGISTRATION DETECTION	1	1	1
	11	3B507110	HANDLE,RELEASE	1	1	1
	12	3B507120	LEVER,RELEASE	1	1	1
	13	3B507130	HOOK,RELEASE	1	1	1
●	14	3B507140	FRONT BELT,SIDE REGISTRATION	1	1	1
●	15	3B507150	REAR BELT,SIDE REGISTRATION	1	1	1
●	16	3B507160	BELT,LEADING REGISTRATION	1	1	1
	17	3B507170	TENSION PLATE,SIDE REGISTRATION	2	2	2
	18	3B507180	TENSION PLATE,LEADING REGISTRATION	1	1	1
	19	3B507190	LEVER,LEADING REGISTRATION DETECTION	1	1	1
	20	3B502020	MOUNT,FULCRUM PIN	1	1	1
	21	3B527040	JUNCTION WIRING,TRAILING EDGE REGISTRATI	1	1	1
●	22	35327400	SWITCH,FEED	3	3	3
●	23	3A722040	PULLEY 24,CONVEYING	6	6	6
●	24	3A722090	PULLEY,DRIVE	3	3	3
●	25	3B528010	MAIN PCB PCB	1	1	1
	26	29802230	PIN,CONNECTOR	1	1	1
	27	M1203200	OPEN BUSHING,OCB-375	1	1	1
	28	18305060	LABEL,CAUTION PARTITION	1	1	1
	29	M2109390	WIRE SADDLE,RLWS-3T V0(KITAGAWA)	2	2	2
●	30	34806140	STOPPER 4	2	2	2
●	31	3BN07040	SLIDER,CURSOR SIDE REGISTRATION	2	2	2
●	32	3BN07050	GEAR Z47/B20,SIDE REGISTRATION	3	3	3
	33	3BN07100	REAR CURSOR,SIDE REGISTRATION	1	1	1
	34	3BN07120	SLIDER,LEADING REGISTRATION	1	1	1
●	35	3BN27020	MOTOR,SIDE REGISTRATION	3	3	3
	36	63511091	SPRING,ADF HOOK	4	4	4
	37	65009020	SPRING,DRAWER	1	1	1
●	38	65815060	IDLE GEAR 40,TONER SUPPLY	1	1	1
	39	73926080	PIN,HOOK LEVER	5	5	5
	40	78706241	FILTER CF SENSOR	1	1	1

SP	Ref. No.	Part. No.	Description	Quantity		
				120V	230V	240V
●	41	78727110	JAM DETECTION SWITCH	1	1	1
	42	M2109350	WIRE SADDLE,YMC-15-0(KITAGAWA)	2	2	2
	43	M2105740	MINIATURE CLAMP,UAMS-05S-2	5	5	5
●	44	34806150	STOPPER 5	12	12	12
	45	3B527010	WIRE,MIDDLE TRAY	1	1	1
	46	●M2107120	BINDING BAND SG-130	1	1	1
	47	●J0423900	PIN,DFIB-2428PC(HIROSE)	28	28	28
	48	●J0480900	CONTACTOR,MDF6-2022SC(HIROSE)	6	6	6
	49	●J0423300	RECEPTACLE,DF1B-30DEP-2.5C(HIROSE)	1	1	1
	50	●J0480080	RECEPTACLE,MDF6-8DS-3.5C(HIROSE)	1	1	1
	51	●J5000800	SOCKET PH,SPH-002T-P0.5S	15	15	15
	52	●J5080900	SOCKET,BPHD-002T-P0.5(JST)	43	43	43
	53	●J5003120	RECEPTACLE,PHNR-12C-H(JST)	1	1	1
	54	●J5003130	RECEPTACLE,PHNR-13C-H(JST)	1	1	1
	55	●J5080160	RECEPTACLE,PHDR-16VS(JST)	1	1	1
	56	●J5080320	RECEPTACLE,PHDR-32VS(JST)	1	1	1
	57	●J0153900	CONTACTOR,179518-1(AMP)	49	49	49
	58	●J0153030	RECEPTACLE,179228-3(AMP)	3	3	3
	59	●J0153050	RECEPTACLE,179228-5(AMP)	3	3	3
	60	●J0154100	RECEPTACLE,1-179228-0(AMP)	1	1	1
	61	●J0154110	RECEPTACLE,1-179228-1(AMP)	1	1	1
	62	●J0154120	RECEPTACLE,1-179228-2(AMP)	1	1	1
	63	●J0144050	CASE,175694-5(AMP)	1	1	1
	64	●J0080800	SOCKET EI,170262-1	3	3	3
	65	●J0080030	RECEPTACLE EI 3P,171822-3	1	1	1
	66	●M2607010	BINDING BAND,PLT1M	5	5	5

- Parts with "●" are component parts or sub-assemblies of the assembly appearing immediately above them.
- Parts with "●" indicates the Service parts.

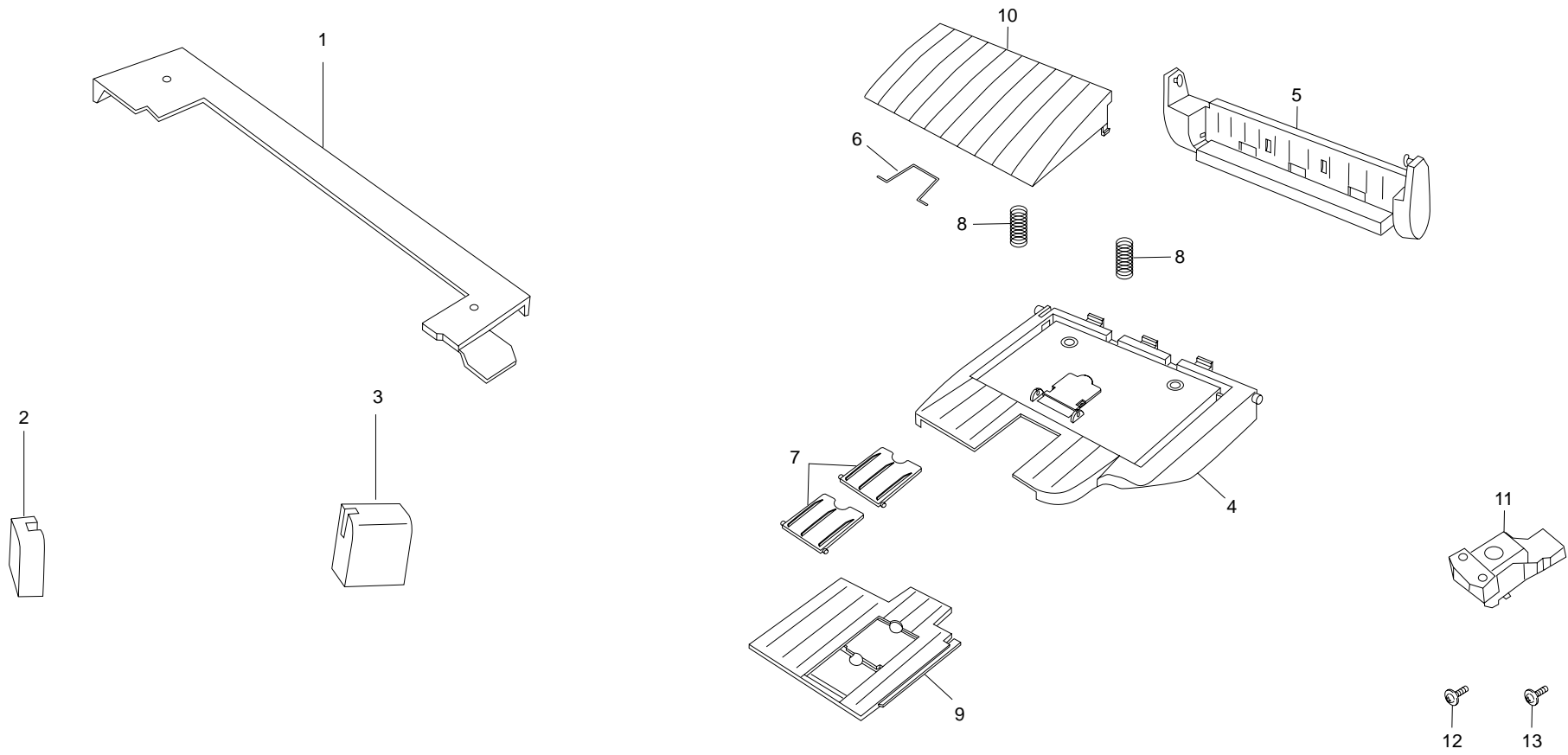


FIG. 4 ACCESSORY

3B5

SP	Ref. No.	Part. No.	Description	Quantity		
				120V	230V	240V
●	1	3B504020	COVER,EJECT LARGE	1	1	1
●	2	3B504080	FRONT COVER,EJECT	1	1	1
●	3	3B504090	REAR COVER,EJECT	1	1	1
●	4	3BN04170	TRAY,EJECT	1	1	1
●	5	3B504050	MOUNT BASE,EJECT TRAY	1	1	1
	6	3BN04120	SHAFT,EJECT TRAY	1	1	1
●	7	3BN04131	STOPPER,TRAY	2	2	2
	8	3BN04140	SPRING,EJECT TRAY	2	2	2
●	9	3BN04181	TRAY B,EJECT	1	1	1
●	10	3BN04190	WORK PLATE,EJECT TRAY	1	1	1
●	11	59982040	SET STAPLE CARTRIDGE N	1	1	1
	12	B4103050	TRIPLE SCREW M3X05 (CHROMIUM)	3	3	3
	13	B4303050	TRIPLE SCREW M3X5 (BLACK)	3	3	3

- Parts with "●" are component parts or sub-assemblies of the assembly appearing immediately above them.
- Parts with "●" indicates the Service parts.

INDEX

3B5

SP	Part. No.	Description	Quantity			Fig. No.
			120V	230V	240V	
●	18305060	LABEL, CAUTION PARTITION	1	1	1	3
●	2A116190	GEAR, TRANSFER	1	1	1	2
●	2BJ02120	HOLDER, FULCRUM	1	1	1	2
	29802230	PIN, CONNECTOR	1	1	1	3
	29820420	PIN, BEARING	2	2	2	1
●	29822140	BUSHING, DRUM SHAFT	2	2	2	2
●	3AL07250	REAR STATIC ELIMINATOR, PAPER FEED	1	1	1	1
●	3AW27010	STAPLER	1	1	1	1
	3AZ21810	FAN, FEED SHIFT	1	1	1	1
●	3A601010	RELEASE SWITCH ASS'Y	1	1	1	2
●	3A722040	PULLEY 24, CONVEYING	6	6	6	3
●	3A722090	PULLEY, DRIVE	3	3	3	3
●	3A821130	SPRING, FEED SHIFT LEVER	1	1	1	2
	3BN04120	SHAFT, EJECT TRAY	1	1	1	4
●	3BN04131	STOPPER, TRAY	2	2	2	4
	3BN04140	SPRING, EJECT TRAY	2	2	2	4
●	3BN04170	TRAY, EJECT	1	1	1	4
●	3BN04181	TRAY B, EJECT	1	1	1	4
●	3BN04190	WORK PLATE, EJECT TRAY	1	1	1	4
●	3BN07040	SLIDER, CURSOR SIDE REGISTRATION	2	2	2	3
●	3BN07050	GEAR Z47/B20, SIDE REGISTRATION	3	3	3	3
	3BN07100	REAR CURSOR, SIDE REGISTRATION	1	1	1	3
	3BN07120	SLIDER, LEADING REGISTRATION	1	1	1	3
●	3BN08090	ROLLER, FEED SHIFT	1	1	1	2
●	3BN08100	PULLEY, BRANCH	2	2	2	1
●	3BN08120	CLAW, FEED SHIFT	13	13	13	1
	3BN08130	SHAFT, FEED SHIFT	1	1	1	1
●	3BN08200	GEAR 21, FEED SHIFT	1	1	1	2
	3BN08440	SHAFT, FEED SHIFT PULLEY	1	1	1	1
	3BN08460	GUIDE, PAPER HOLDER	2	2	2	1
	3BN08480	SHAFT, GUIDE EJECT	2	2	2	1
	3BN08520	SHAFT, STOPPER	1	1	1	2
●	3BN08530	GEAR, STOPPER	1	1	1	2
	3BN08541	LEVER, PRESSURE	1	1	1	2
	3BN08550	SHAFT, ROLLER PRESSURE	1	1	1	2
	3BN08560	LIFT PLATE, ROLLER PRESSURE	1	1	1	2
●	3BN08570	ROLLER, PRESSURE	1	1	1	2
●	3BN08580	CAM, CLUTCH	2	2	2	2
	3BN08590	SHAFT, CLUTCH	1	1	1	2
●	3BN08620	GEAR 26, STOPPER	1	1	1	2

SP	Part. No.	Description	Quantity			Fig. No.
			120V	230V	240V	
	3BN08650	SPRING, PRESSURE ROLLER	1	1	1	2
●	3BN08660	COLLAR, STOPPER CLUTCH	1	1	1	2
●	3BN08671	INNER BUSHING, PRESSURE ROLLER	1	1	1	2
	3BN08680	FRONT HOLDER, PRESSURE ROLLER	1	1	1	2
	3BN08690	REAR HOLDER, PRESSURE ROLLER	1	1	1	2
	3BN08710	FILM, GUIDE EJECT	1	1	1	1
	3BN08720	LOWER FILM, ROLLER FEED SHIFT	3	3	3	1
●	3BN27011	MOTOR, FEED SHIFT	1	1	1	2
●	3BN27020	MOTOR, SIDE REGISTRATION	3	3	3	3
●	3BN27050	SOLENOID, FEED SHIFT	1	1	1	2
	3B502020	MOUNT, FULCRUM PIN	1	1	1	3
	3B502040	MOUNT, CONNECTOR	1	1	1	1
●	3B504010	COVER, EJECT SMALL	1	1	1	1
●	3B504020	COVER, EJECT LARGE	1	1	1	4
●	3B504030	COVER, STAPLER LARGE	1	1	1	1
●	3B504040	COVER, STAPLER SMALL	1	1	1	1
●	3B504050	MOUNT BASE, EJECT TRAY	1	1	1	4
	3B504070	SHAFT, STAPLER COVER	1	1	1	1
●	3B504080	FRONT COVER, EJECT	1	1	1	4
●	3B504090	REAR COVER, EJECT	1	1	1	4
●	3B507010	TRAY, MIDDLE	1	1	1	3
●	3B507020	COVER, MIDDLE TRAY	1	1	1	3
	3B507030	MOUNT, DRIVE	1	1	1	3
	3B507040	FRONT CURSOR, SIDE REGISTRATION	1	1	1	3
	3B507050	MOUNT, SIDE REGISTRATION DETECTION	2	2	2	3
	3B507060	MOUNT, PAPER DETECTION	1	1	1	3
	3B507070	SHAFT, SLIDER	1	1	1	3
	3B507080	CURSOR, LEADING REGISTRATION	1	1	1	3
●	3B507090	FILM, LEADING REGISTRATION	1	1	1	3
	3B507100	MOUNT, LEADING REGISTRATION DETECTI	1	1	1	3
	3B507110	HANDLE, RELEASE	1	1	1	3
	3B507120	LEVER, RELEASE	1	1	1	3
	3B507130	HOOK, RELEASE	1	1	1	3
●	3B507140	FRONT BELT, SIDE REGISTRATION	1	1	1	3
●	3B507150	REAR BELT, SIDE REGISTRATION	1	1	1	3
●	3B507160	BELT, LEADING REGISTRATION	1	1	1	3
	3B507170	TENSION PLATE, SIDE REGISTRATION	2	2	2	3
	3B507180	TENSION PLATE, LEADING REGISTRATION	1	1	1	3
	3B507190	LEVER, LEADING REGISTRATION DETECTI	1	1	1	3
	3B508010	FRONT FRAME	1	1	1	1

• Parts with "●" indicates the Service parts.

SP	Part. No.	Description	Quantity			Fig. No.	SP	Part. No.	Description	Quantity			Fig. No.
			120V	230V	240V					120V	230V	240V	
	3B508020	REAR FRAME	1	1	1	1		3B508470	STOPPER,PAPER HOLDER	2	2	2	1
	3B508030	BASE	1	1	1	1		3B508490	FILM,EJECT PULLEY	2	2	2	1
	3B508040	LOWER GUIDE	1	1	1	1		3B508500	FILM,EJECT GUIDE	2	2	2	1
	3B508050	UPPER GUIDE	1	1	1	1		3B508510	FILM,GUIDE MIDDLE	3	3	3	1
	3B508060	UPPER GUIDE,MIDDLE	1	1	1	1	●	3B508520	SPRING,STOPPER	1	1	1	2
	3B508070	LOWER GUIDE,MIDDLE	1	1	1	1		3B527010	WIRE,MIDDLE TRAY	1	1	1	3
	3B508080	GUIDE,MIDDLE TRAY	1	1	1	1		3B527020	WIRE,CONVEYING UNIT	1	1	1	1
	3B508090	GUIDE,EJECT	1	1	1	1		3B527030	JUNCTION WIRING,CONVEYING SENSOR	1	1	1	1
	3B508100	GUIDE,STAPLER	1	1	1	1		3B527040	JUNCTION WIRING,TRAILING EDGE REGI	1	1	1	3
	3B508110	MOUNT,STAPLER	1	1	1	1	●	3B528010	MAIN PCB PCB	1	1	1	3
	3B508120	MOUNT,POSITIONING PIN	1	1	1	1	●	34806140	STOPPER 4	3	3	3	2
●	3B508130	UPPER ROLLER,DECURLER	1	1	1	2	●	34806150	STOPPER 5	22	22	22	2
●	3B508180	ROLLER,EJECT	1	1	1	2	●	34922220	GEAR 18,RETARD	1	1	1	2
	3B508190	SHAFT,EJECT GUIDE	1	1	1	1	●	35327400	SWITCH,FEED	4	4	4	2
	3B508200	SHAFT,EJECT PULLEY	1	1	1	1	●	36722860	GEAR 18	1	1	1	2
	3B508210	SPRING,EJECT PULLEY	2	2	2	1	●	45728116	GEAR 28,JOINT	1	1	1	2
	3B508220	FRONT SPRING,EJECT GUIDE	1	1	1	1	●	48528800	SPRING,PF CRUTCH	1	1	1	2
	3B508230	REAR SPRING,EJECT GUIDE	1	1	1	1	●	59982040	SET STAPLE CARTRIDGE N	1	1	1	4
	3B508240	SUPPORT PLATE,EJECT GUIDE	2	2	2	1	●	62227070	SOLENOID B,FEED SHIFT	1	1	1	2
●	3B508260	CLAW,FEED SHIFT SMALL	17	17	17	1	●	63210170	PULLEY,LOOP FEED	2	2	2	1
	3B508270	SHAFT,FEED SHIFT CLAW SMALL	1	1	1	1	●	63213330	BUSHING,EJECT ORIGINAL HOLDER	2	2	2	2
●	3B508280	GEAR Z31/Z20	1	1	1	2		63511091	SPRING,ADF HOOK	4	4	4	3
	3B508290	MOUNT,MOTOR	1	1	1	2		65009020	SPRING,DRAWER	1	1	1	3
	3B508300	LEVER,ADMISSION SHIFT	1	1	1	2	●	65016080	STOP RING E3	4	4	4	1
	3B508310	REAR REINFORCEMENT,FRAME	1	1	1	2	●	65815060	IDLE GEAR 40,TONER SUPPLY	1	1	1	3
	3B508320	MOUNT,SOLENOID	1	1	1	2	●	66006630	GEAR,BYPASS LIFT CLUTCH	1	1	1	2
	3B508330	LEVER,CLUTCH	1	1	1	2	●	67322230	BUSHING 8	2	2	2	2
	3B508340	MOUNT,CONVEYING SW	1	1	1	2		68814190	PIN,SUPPLY IDLE	1	1	1	2
	3B508350	ACTUATOR,CONVEYING SW	1	1	1	2	●	68822330	BEARING,DRIVE	4	4	4	2
	3B508360	SPRING,CONVEYING SW	1	1	1	2	●	72622050	GEAR 25,FEED LOOP	1	1	1	2
	3B508370	PIN,MACHINE RETAINING(M4)	1	1	1	1	●	72622060	GEAR,CENTRAL LEAD ROLLER	1	1	1	2
	3B508380	GUIDE,GUIDE MIDDLE TRAY	1	1	1	1	●	73208180	BOSS,REGISTRATION CL	1	1	1	2
●	3B508390	SEAL,GUIDE MIDDLE TRAY	1	1	1	1	●	73210450	BUSH, 6	2	2	2	2
	3B508400	RETAINER,ADMISSION SHIFT LEVER	1	1	1	2	●	73226040	SPRING,REVERSE SOLENOID	1	1	1	2
	3B508410	MOUNT,DECURLER	2	2	2	2		73918080	PIN,CLEANING BLADE	1	1	1	2
	3B508420	MOUNT,WIRE	1	1	1	2		73926080	PIN,HOOK LEVER	5	5	5	3
●	3B508430	ROLLER SUS,DECURLER	1	1	1	2	●	75416230	STATIC ELIMINATOR SORT BIN	1	1	1	1
	3B508440	SPRING,FEED SHIFT PULLEY	2	2	2	1	●	75706040	STOPPING PAPER FEED PULLEY	1	1	1	2
	3B508450	SPACER,DECURLER	2	2	2	2	●	75915120	GEAR 16,SUB DEV.UNIT	1	1	1	2
	3B508460	GROUND PLATE,STATIC ELIMINATOR	1	1	1	1	●	76202270	LEFT BUSHING FULLCRUM SHAFT	2	2	2	2

• Parts with "●" indicates the Service parts.

SP	Part. No.	Description	Quantity			Fig. No.
			120V	230V	240V	
●	78022060	GEAR 32	1	1	1	2
	78706241	FILTER CF SENSOR	1	1	1	3
●	78727110	JAM DETECTION SWITCH	1	1	1	3
	B4103050	TRIPLE SCREW M3X05 (CHROMIUM)	3	3	3	4
	B4303050	TRIPLE SCREW M3X5 (BLACK)	3	3	3	4
	J0080030	RECEPTACLE EI 3P,171822-3	1	1	1	3
	J0080800	SOCKET EI,170262-1	3	3	3	3
	J0144050	CASE,175694-5(AMP)	1	1	1	3
	J0153030	RECEPTACLE,179228-3(AMP)	3	3	3	3
	J0153050	RECEPTACLE,179228-5(AMP)	3	3	3	3
	J0153900	CONTACTOR,179518-1(AMP)	49	49	49	3
	J0154100	RECEPTACLE,1-179228-0(AMP)	1	1	1	3
	J0154110	RECEPTACLE,1-179228-1(AMP)	1	1	1	3
	J0154120	RECEPTACLE,1-179228-2(AMP)	1	1	1	3
	J0423300	RECEPTACLE,DF1B-30DEP-2.5C(HIROSE)	1	1	1	3
	J0423900	PIN,DFIB-2428PC(HIROSE)	28	28	28	3
	J0480080	RECEPTACLE,MDF6-8DS-3.5C(HIROSE)	1	1	1	3
	J0480900	CONTACTOR,MDF6-2022SC(HIROSE)	6	6	6	3
	J5000800	SOCKET PH,SPH-002T-P0.5S	15	15	15	3
	J5003120	RECEPTACLE,PHNR-12C-H(JST)	1	1	1	3
	J5003130	RECEPTACLE,PHNR-13C-H(JST)	1	1	1	3
	J5080160	RECEPTACLE,PHDR-16VS(JST)	1	1	1	3
	J5080320	RECEPTACLE,PHDR-32VS(JST)	1	1	1	3
	J5080900	SOCKET,BPHD-002T-P0.5(JST)	43	43	43	3
	M1203200	OPEN BUSHING,OCB-375	1	1	1	3
	M2104200	EDGING EDS-1	1	1	1	1
	M2104350	EDGING,EDS-0607M(KITAGAWA)	2	2	2	1
	M2105740	MINIATURE CLAMP,UAMS-05S-2	8	8	8	2
	M2107120	BINDING BAND SG-130	4	4	4	1
	M2109350	WIRE SADDLE,YMC-15-0(KITAGAWA)	2	2	2	3
	M2109390	WIRE SADDLE,RLWS-3T V0(KITAGAWA)	2	2	2	3
	M2607010	BINDING BAND,PLT1M	5	5	5	3

• Parts with "●" indicates the Service parts.